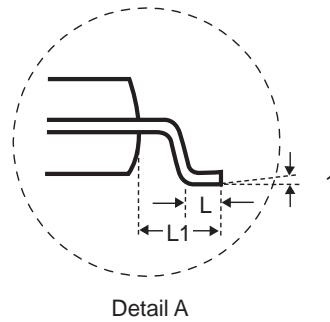
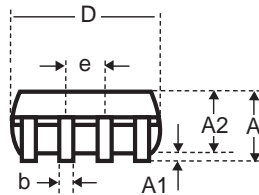
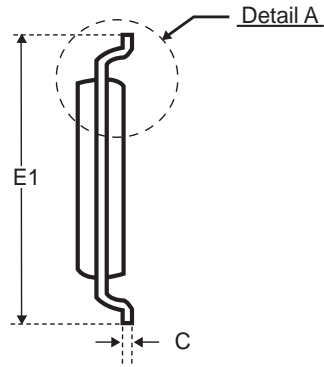
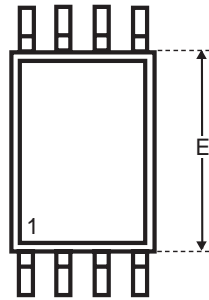




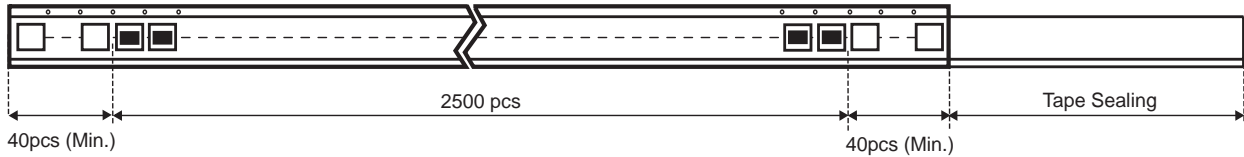
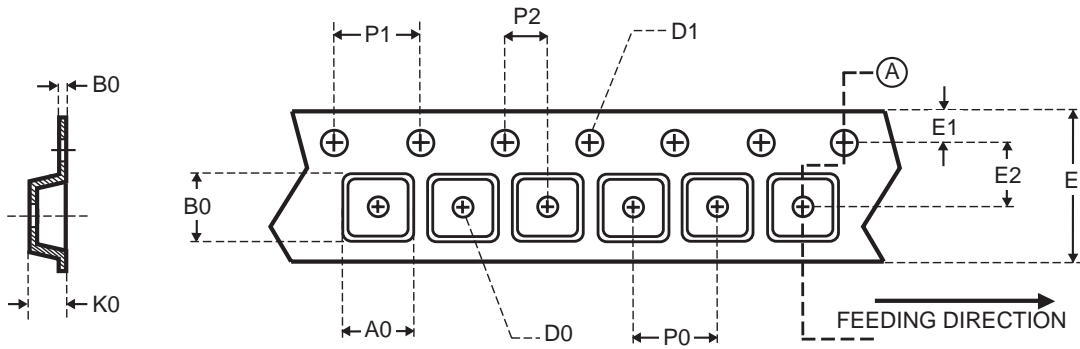
Package Outline Dimensions



SYMBOLS	MILLIMETERS		INCHES	
	Min.	Max.	Min.	Max.
A	1.05	1.20	0.041	0.047
A1	0.05	0.15	0.002	0.006
A2	-	1.05	-	0.041
b	0.20	0.28	0.008	0.011
c	0.127		0.005	
D	2.90	3.20	0.114	0.126
E	4.30	4.50	0.169	0.177
E1	6.20	6.60	0.244	0.260
e	0.65 BSC		0.025 BSC	
L	0.50	0.70	0.020	0.028
L1	1.00		0.039	
	0°	8°	0°	8°

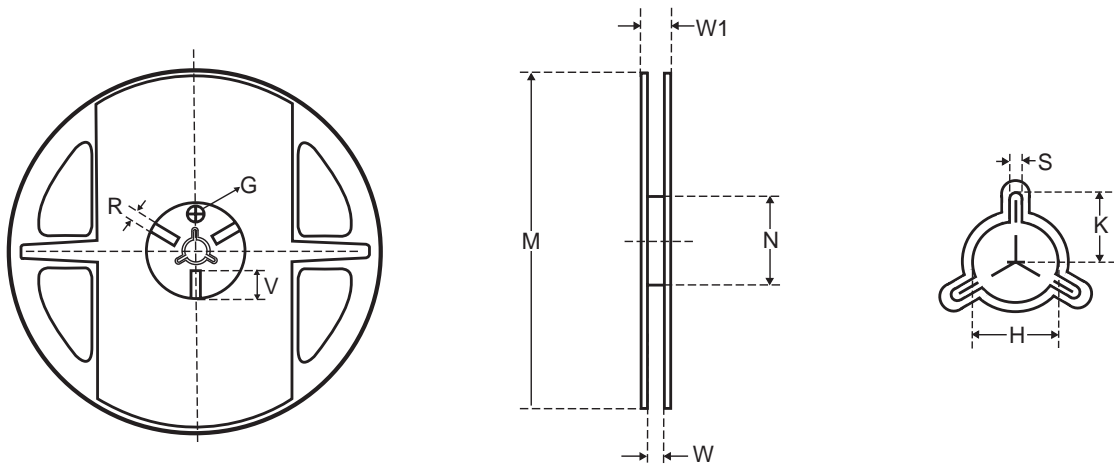


Carrier Tape & Reel Dimensions



Package	A0	B0	K0	D0	D1	E	E1	E2	P0	P1	P2	T
TSSOP-8	6.08	4.40	1.60	1.50 +0.10 -0.00	1.50 +0.10 -0.00	12.00 ±0.30	1.75	5.50 ±0.05	8.00	4.00	2.00 ±0.05	0.30 ±0.05

UNIT : mm



Tape size	Reel Size	M	N	W	W1	H	K	S	G	R	V
12mm	330	330 ± 1	62 ± 1.5	12.4 ± 0.2	16.8 - 0.4	12.75 ± 0.15	-	2.0 ± 0.15	-	-	-

UNIT : mm